

Ref. : F 3240NA  
F 4240NA

Rev. : A

Date : 22/08/2016

Page : 1/1

# FLANGED TYPE "Y" STRAINER PN16 WITH MAGNETIC COLLECTOR

F 3240NA / F 4240NA

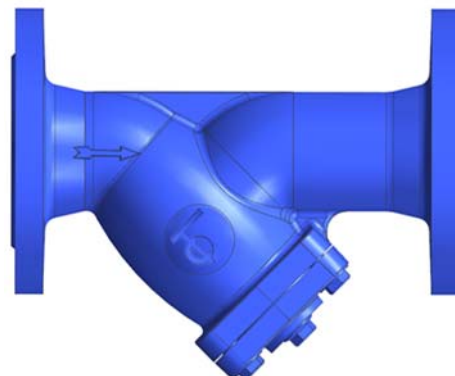


## APPLICATION

Heating system and undrinkable domestic water, steam and other compatible fluids.

## GENERAL CHARACTERISTICS

Filter equipped with a magnetic shaft for sensing the metal particules contained in the fluid. "Y" body and bonnet in cast iron from DN15 to DN300 (F 3240NA) and in ductile iron for DN350 and DN450 (F 4240NA). Epoxy coating RAL 5019 with thickness 80-100µm. Dismountable stainless steel screen. Drain plug G3/8 (DN15-20); G1/2 (DN25-100); G3/4 (DN125-400) Flanged ends PN 16.



## CONSTRUCTION

|             |             |                    |  |  |
|-------------|-------------|--------------------|--|--|
| 9           | 3           | Magnet             |  |  |
| 8           | 1           | Shaft              | Stainless steel 304                    |  |
| 7           | 1           | Drain plug         | Acier A 105                            |  |
| 6           | 1           | Gasket             | Graphit                                |  |
| 5           | **          | Screw              | Steel A 105                            |  |
| 4           | 1           | Bonnet             | Cast iron EN-GJL-250 (DN15-300)        |  |
|             |             |                    | Ductile iron EN-GJS-400-15 (DN350-400) |  |
| 3           | 1           | Gasket             | Graphit                                |  |
| 2           | 1           | Screen             | Stainless steel X5CrNi 18-10           | DIN: X5CrNi18 10<br>ASTM: A 182 AISI 304<br>BS: 1449-2 304 S15 |
|             |             |                    | Cast iron EN-GJL-250 (DN15-300)        |  |
| 1           | 1           | Body               | Cast iron EN-GJL-250 (DN15-300)        |  |
|             |             |                    | Ductile iron EN-GJS-400-15 (DN350-400) |  |
| <b>Pos.</b> | <b>Q-ty</b> | <b>Description</b> | <b>Material</b>                        |  |

\*\* 4 for DN15-100 and 6 for DN125-400

## DIMENSIONS

| DN  | L    | ØD  | ØD1 | ØD2 | b    | z  | Ød | H   | H1   | Weight (kg) | Mesh (mm) |
|-----|------|-----|-----|-----|------|----|----|-----|------|-------------|-----------|
| 15  | 130  | 95  | 65  | 45  | 16   | 4  | 14 | 74  | 110  | 3           | 1         |
| 20  | 150  | 105 | 75  | 58  | 16   | 4  | 14 | 90  | 130  | 3.2         |           |
| 25  | 160  | 115 | 85  | 68  | 16   | 4  | 14 | 95  | 160  | 4           |           |
| 32  | 180  | 140 | 100 | 78  | 16   | 4  | 18 | 119 | 171  | 6           |           |
| 40  | 200  | 150 | 110 | 88  | 18   | 4  | 18 | 130 | 195  | 7           |           |
| 50  | 230  | 165 | 125 | 102 | 20   | 4  | 18 | 145 | 218  | 8           | 1,3       |
| 65  | 290  | 185 | 145 | 122 | 20   | 4  | 18 | 160 | 248  | 12          |           |
| 80  | 310  | 200 | 160 | 138 | 20   | 8  | 18 | 185 | 283  | 14          |           |
| 100 | 350  | 220 | 180 | 158 | 22   | 8  | 18 | 225 | 351  | 18          |           |
| 125 | 400  | 250 | 210 | 188 | 26   | 8  | 18 | 268 | 418  | 32          |           |
| 150 | 480  | 285 | 240 | 212 | 26   | 8  | 23 | 295 | 468  | 45          | 1,6       |
| 200 | 600  | 340 | 295 | 268 | 30   | 12 | 23 | 316 | 529  | 80          |           |
| 250 | 730  | 405 | 355 | 320 | 32   | 12 | 23 | 420 | 662  | 130         |           |
| 300 | 850  | 460 | 410 | 378 | 36   | 12 | 27 | 455 | 735  | 170         |           |
| 350 | 980  | 520 | 470 | 438 | 30,5 | 16 | 27 | 565 | 915  | 240         |           |
| 400 | 1100 | 580 | 525 | 490 | 32   | 16 | 30 | 635 | 1041 | 345         |           |

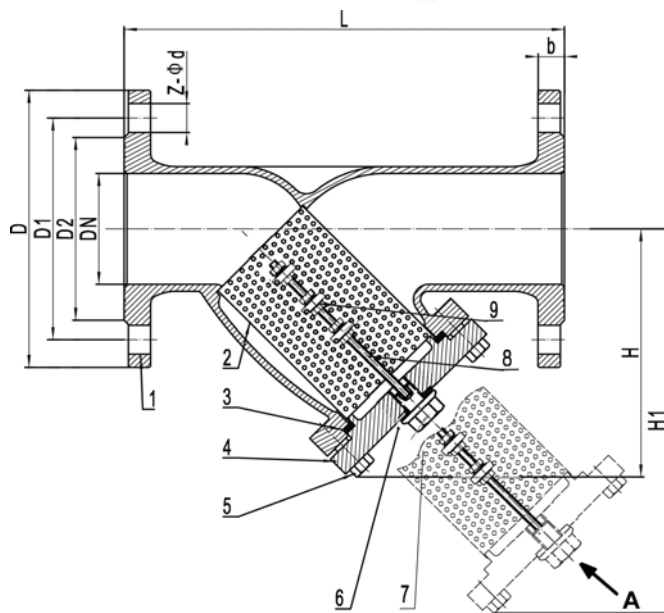
## WORKING CONDITIONS

Maximum working pressure : 16 bar .  
Maximum temperature: 130°C

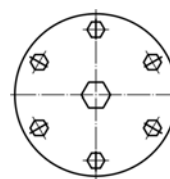
Pressure test according to standards EN 12266-1, DIN 3230, BS 5154 and ISO 5208 :  
Body : 24 bar.

## STANDARDS

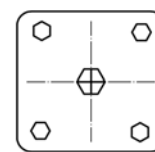
Face to face according to standards EN 558-1 serie 1 and DIN 3202/1 serie F1.  
Flanges drilled according to EN 1092-2 PN16.



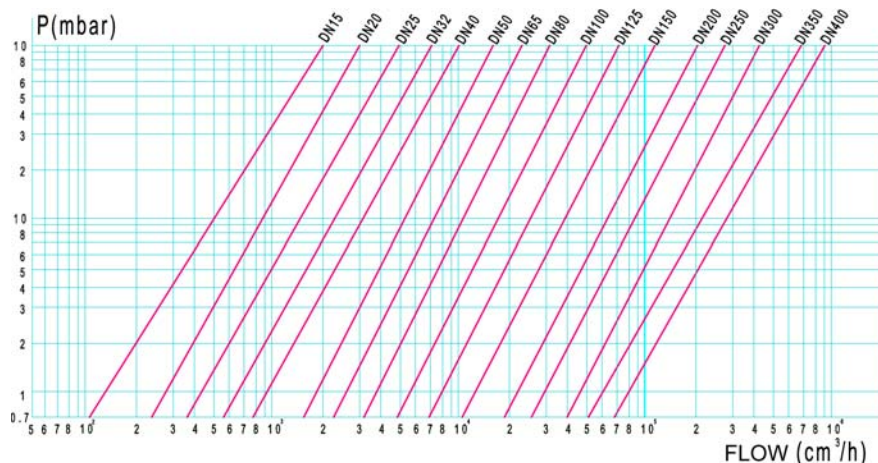
VIEW A



DN 125 - DN400



DN 15 - DN100



TECOFI France - 83, Rue Marcel Mérieux 69960 Corbas - FRANCE  
Tél. +33 (0) 4 72 79 05 79 - Fax +33 (0) 4 78 90 19 19 / +33 (0) 4 72 79 05 70  
Adresses e-mail : sales@tecofi.fr ; tecofi@tecofi.fr / Site web : www.tecofi.fr