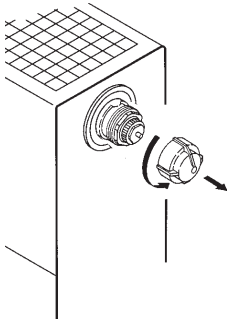


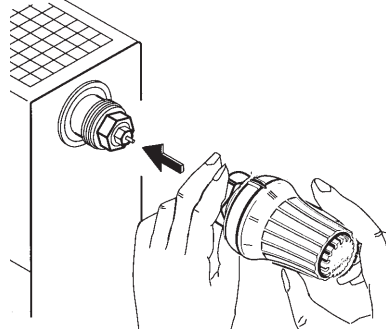
Danfoss Radiator Thermostat RAE-K Installation Guide

Fitting the sensor

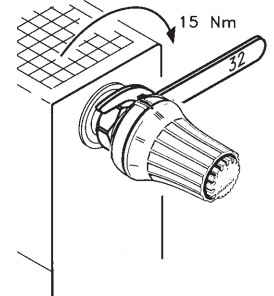
on radiators with built-in valve with thread connection M30 x 1.5



1. Turn protective cap anti-clockwise to remove from radiator.

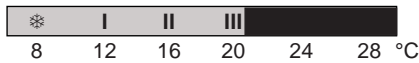


2. Offer sensor onto valve ensuring that scale pointer is at top.



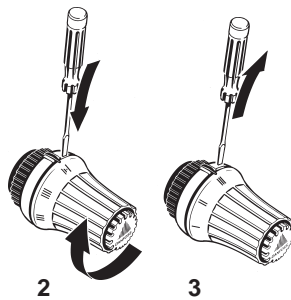
3. Press the sensor firmly onto valve and tighten with 32 mm wrench (Max. torque 15 Nm)

Adjusting temperature control range



Setting the upper limit:
e.g. III as the highest possible temperature selection:

1. Turn the head to max. position
2. Keep the limiter tab to the right of the black scale pointer pressed down with a small screwdriver.
3. Turn the head round to III and release the tab.



Setting the lower limit:
e.g. II as the lowest possible temperature selection:

1. Turn the head to min. position.
2. Keep the limiter tab to the left of the black scale pointer pressed down with a small screwdriver.
3. Turn the head to II. You can now release the tab.

